



MAGNA1

Further product
documentation



net.grundfos.com/qr/i/98091804

be
think
innovate

GRUNDFOS 



MAGNA1



MAGNA1 D



MAGNA1 F



MAGNA1 D F



Max. 95 % RH
IPX4D



Min./Max.
-10 °C – +110 °C



PN 6:6 bar / 0.6 MPa
PN 10:10 bar / 1.0 MPa
PN 16:16 bar / 1.6 MPa

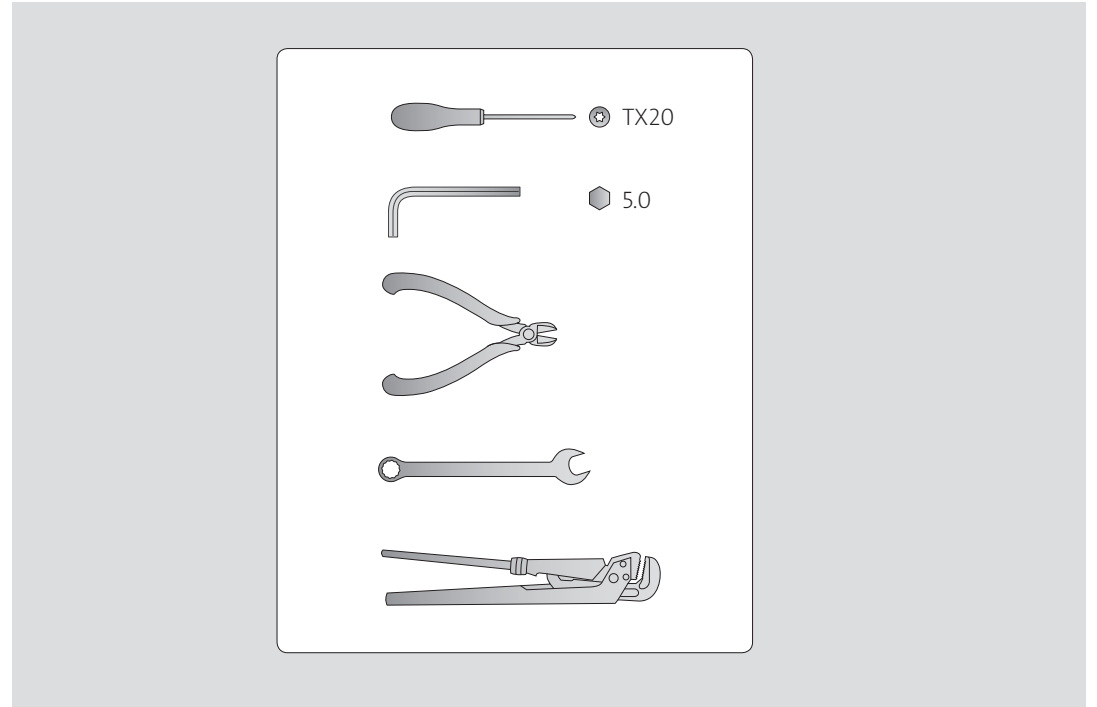
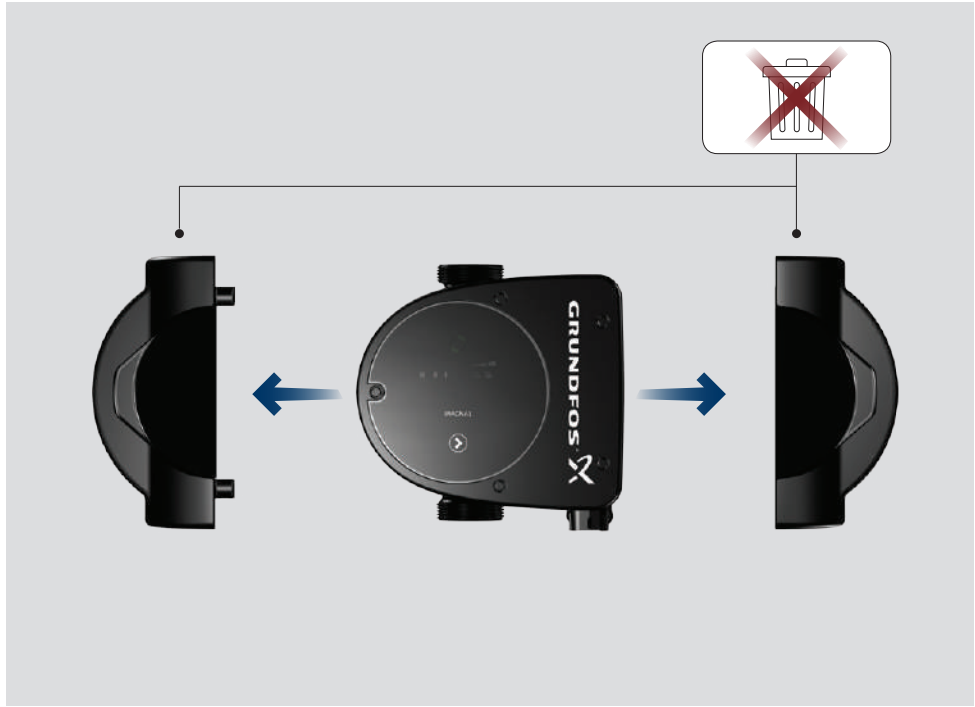


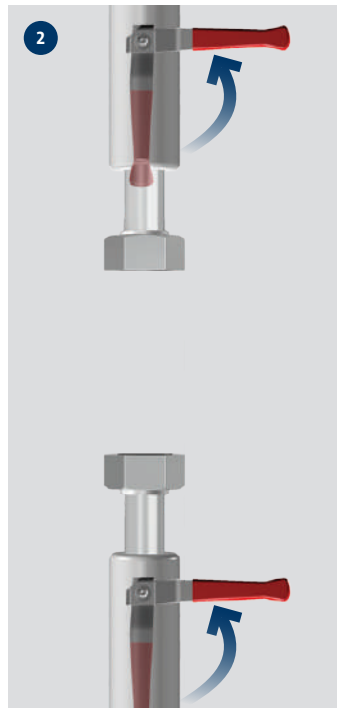
Min./Max.
0 °C – +40 °C

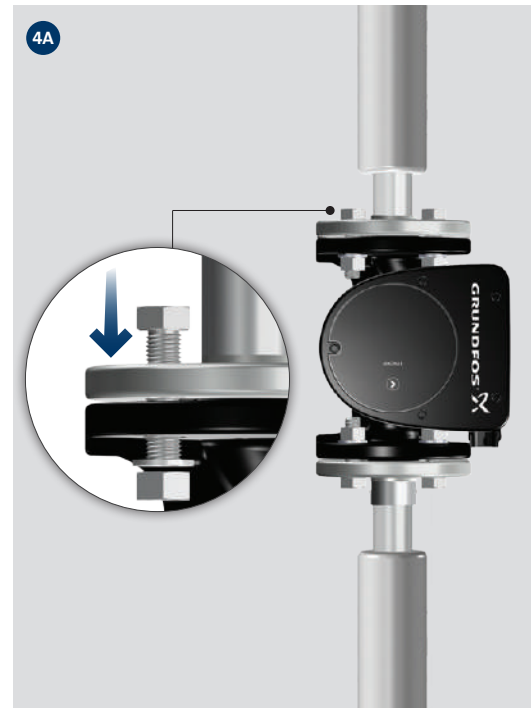


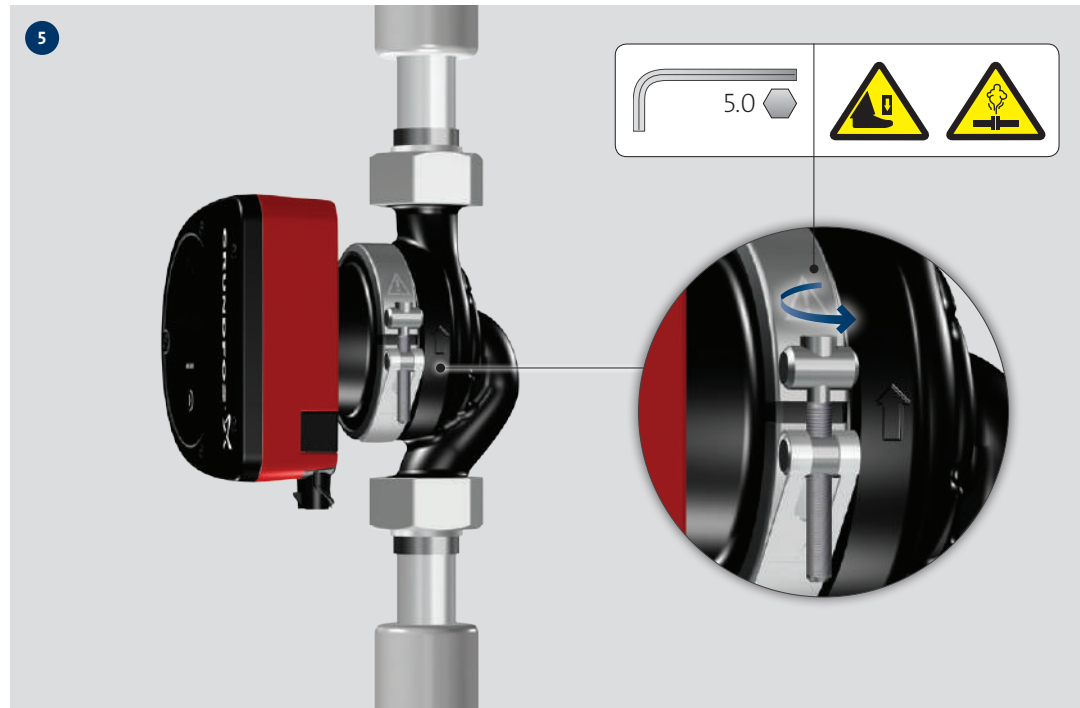
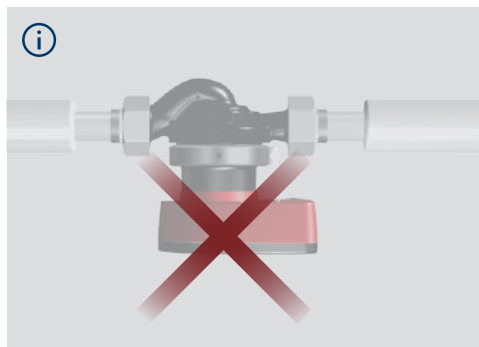
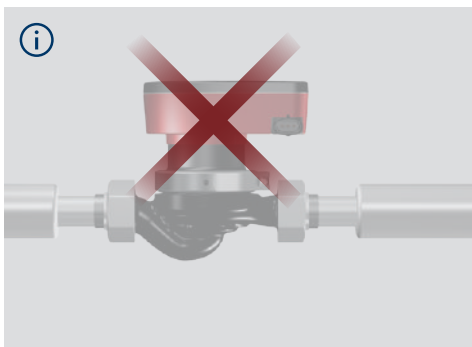
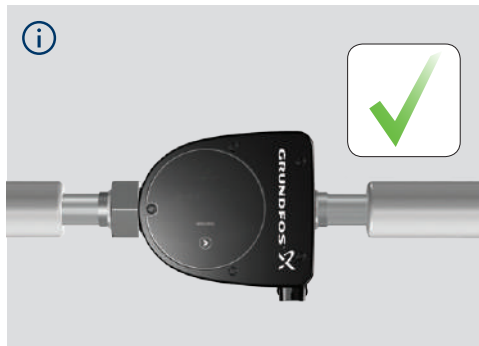
< 43 dB(A)

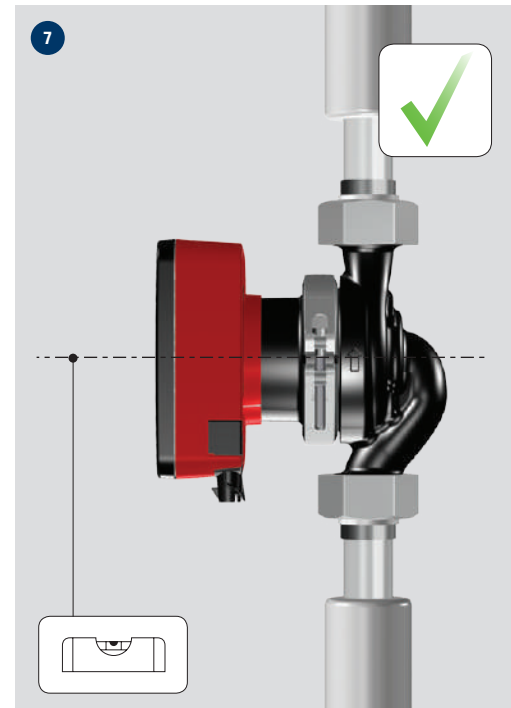
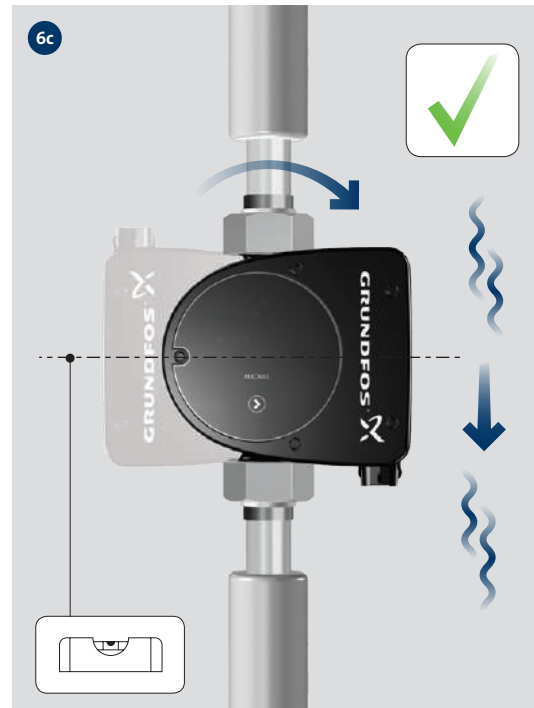
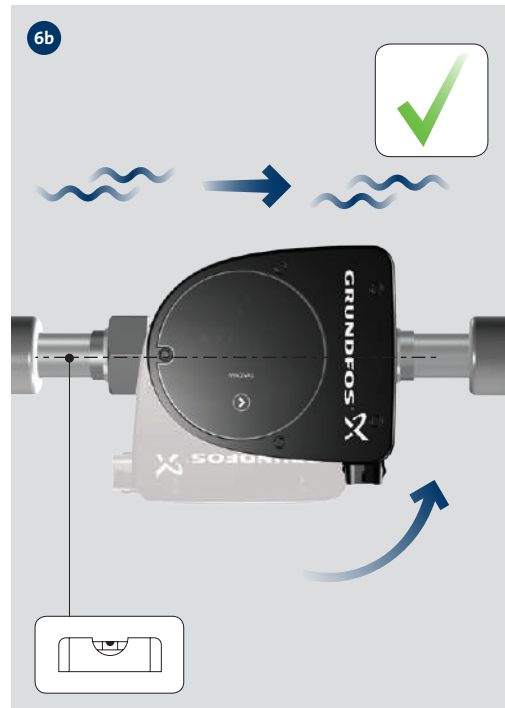
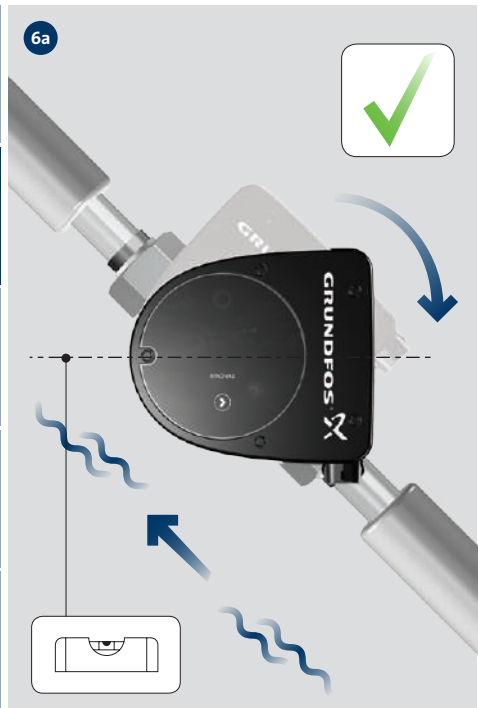






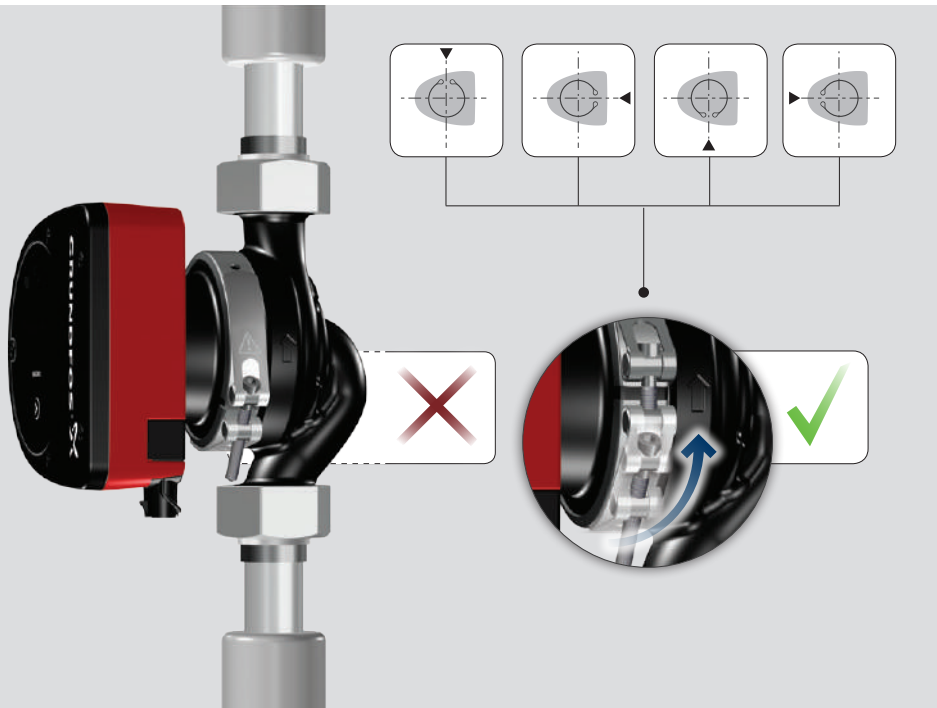




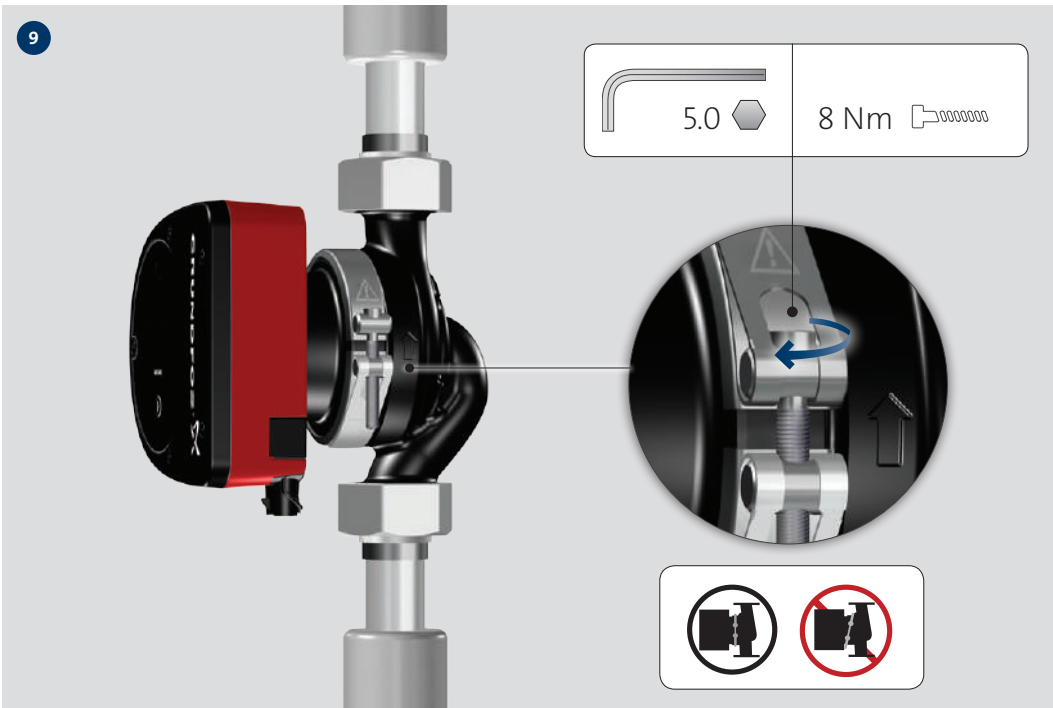




8



9

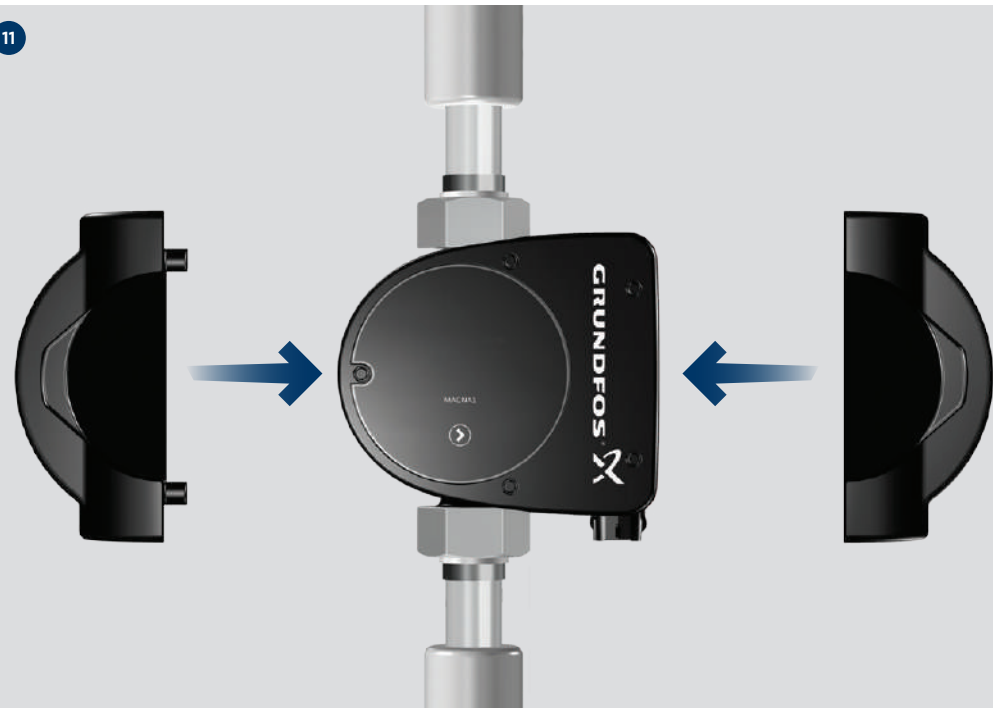


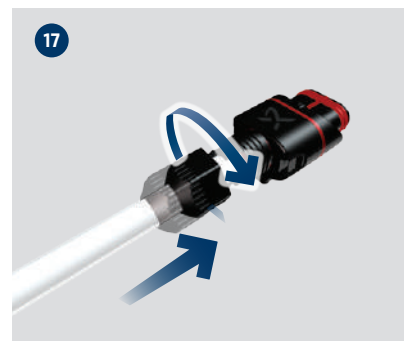
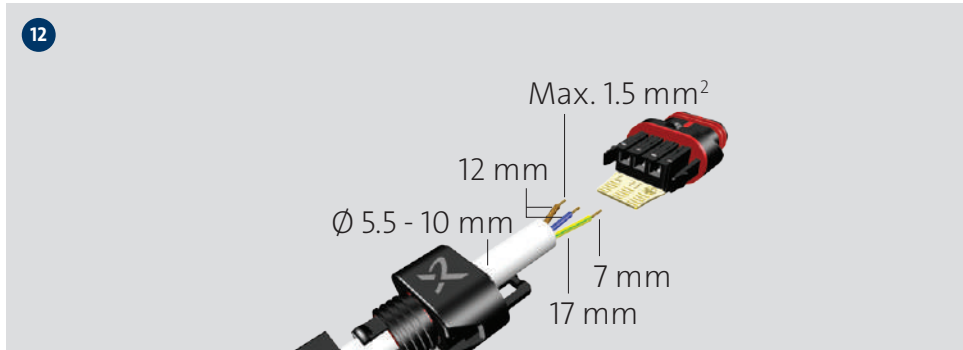


10



11







19

1x 230 V ± 10 %
~ 50/60 Hz ⚡



i



Power cycle

Max. 4 starts
per 60 minutes



i



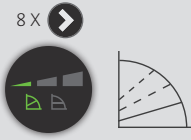
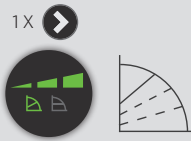
Further product documentation



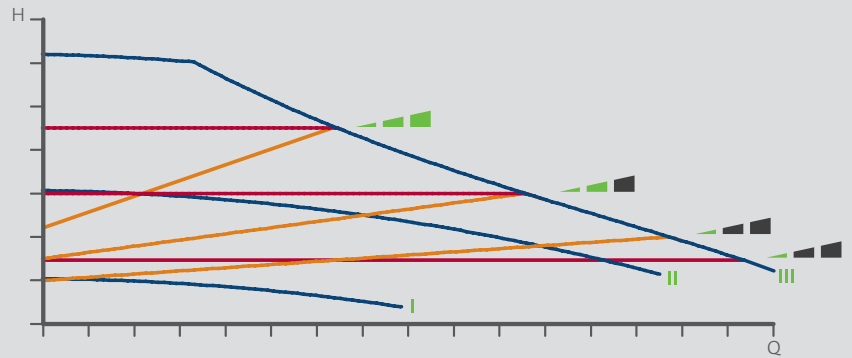
net.grundfos.com/qr/i/98091804



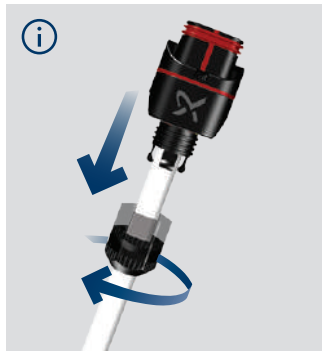
i



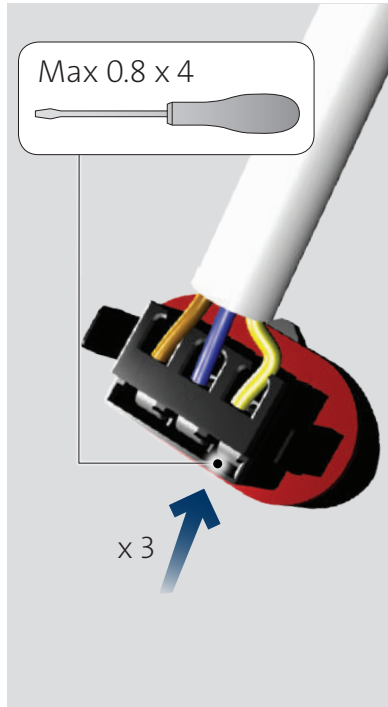
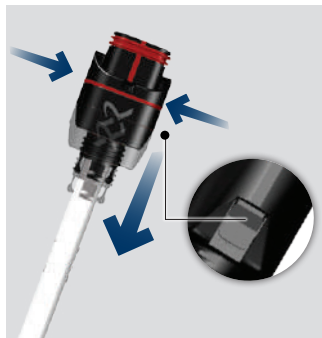
i



net.grundfos.com/qr/i/98091804

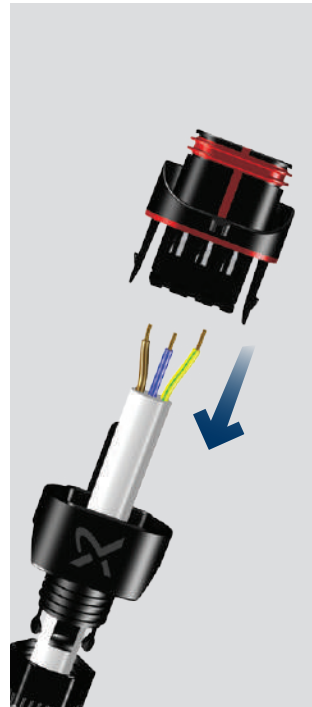


i



Max 0.8 x 4

x 3





Installation date: _____

Installer:

98286141 0317

ECM: 1187410